

**TOMORROW'S
MANUFACTURING
LEADERSHIP
TODAY**

Technical Bulletin

Bulletin Number: 282 Revision Number: R-14

Release Date: Dec. 6, 1984 Revision Date: Feb. 4, 1994

**SUBJECT: SHIMMING AND ADJUSTMENT INFORMATION FOR 501T AND 600T
(INCLUDING 501 MPC AND 600 MPC VENDERS)**

MODELS AFFECTED: Models DNCB 501T, 600T, 501 MPC, and 600 MPC

SERIAL BREAKS:

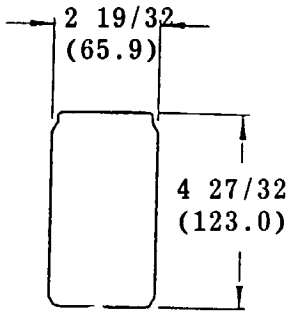
Serialized 0001-2775DI to 0001-3176AQ (Pre-Series 90)
Serialized 0001-3176AO to 0001-6090CQ (Series 90)
Serialized 0001-3203DO to 0001-6090CQ (MPC Series I)

**NOTE: For venders serialized 0001-6090CQ and up, see
Technical Bulletin #438.**

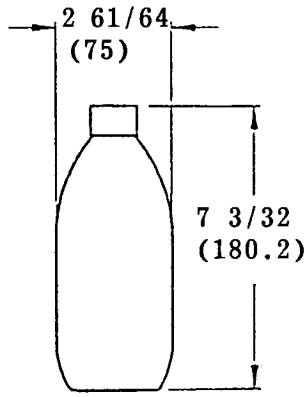
SETTINGS:

1. Beginning with serial number 0001-2835CJ to 0001-6090CQ T-models shipped set to vend 12 oz. cans, unless otherwise specified on sales order.
2. Beginning with serial number 0001-6090CQ rotors are for 12 oz. can vending only. If a different packing is to be vended, the rotors need to be changed for proper vending. See Technical Bulletin #438.
3. The discharge member and closure strip are set for maximum security. If bottles are to be vended, these need to be adjusted for bottle vending. See instructions on the inner door of the vender.
4. Page 2 of this bulletin is a chart of how to "set-up" and "shim" T-models for more prevalent packages.
5. In T-model venders serialized 0001-2835CJ to 0001-6090CQ, rotors with rods were used to vend 12 oz. cans from the narrow columns. If any problems arise, replace the existing rotor and rod with a triple depth can rotor. This will enhance vending and delivery of the 12 oz. cans. See 12 oz. can shim kits for Series 90 and Pre-Series 90 venders on page 4.

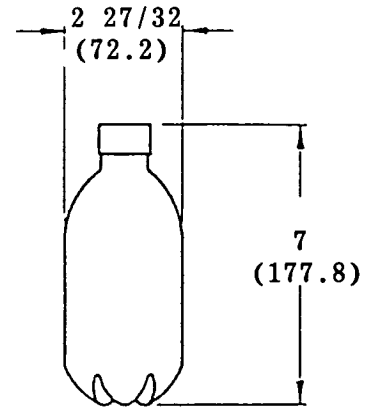
**PACKAGE ILLUSTRATIONS AND DIMENSIONS
(In Inches and Millimeters)**



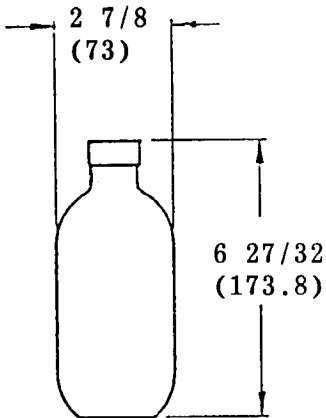
12 oz. Can



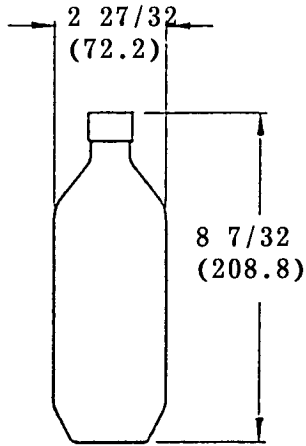
16 oz. NR PLB
(Glass Bottle)



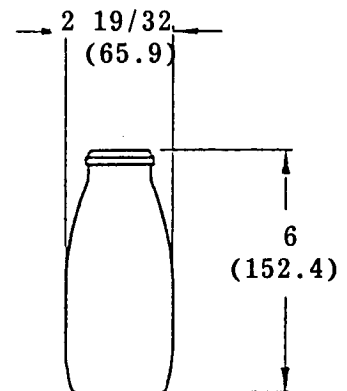
16 oz. Plastic Pet Bottle
(1/2 Liter)



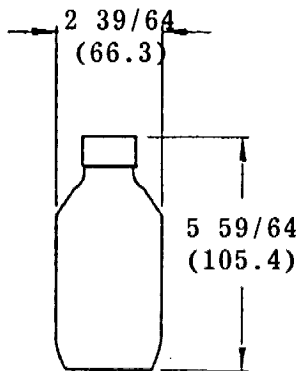
16 oz. RC and Nehi
Plastic Pet Bottles



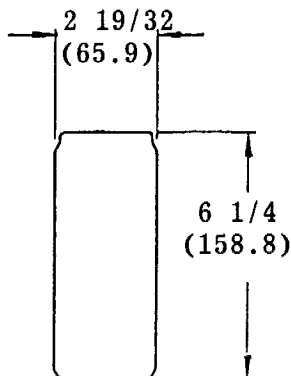
20 oz. NR PLB (Glass Bottle)
and 20 oz. Plastic Bottle



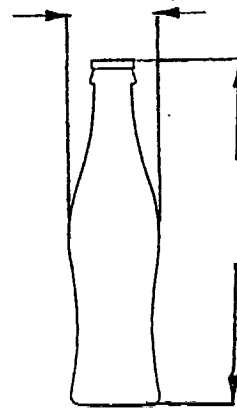
10 oz. Wide Mouth Juice Bottles
Motts, Very Fine, Farmfield,
Lincoln and Juicebowl



10 oz. NR PLB and 296 ml
(Glass Bottle)



16 oz. Can
(Dia 2.60, Ht. 6 1/4)



16 oz. Returnable
(Glass Bottle)

USE THIS CHART TO "SET-UP" and "SHIM" THE "T" MODEL VENDER.

SERIES 90, BEGINNING S/N 0001-3176AO TO 0001-6090CQ USE KITS 24, 25, 26, 28, 29, 30, 33 & 35.

PRE-SERIES 90, BEGINNING S/N 0001-2820BJ TO 0001-3176AO USE KITS 24, 25, 26, 27, 28, 29, 30, 31 & 32.

FOR VENDERS SERIALIZED 0001-2775DI TO 0001-2820BJ REFER TO PRE-SERIES 90 PARTS LISTED IN KITS.

KIT #	PACKAGE DESCRIPTION	SEE PAGE(S)	LOADING DEPTH	WIDE COLUMNS				ALL COLUMNS		NARROW COLUMNS			DIVIDER ANGLE
				CAN RETAINER	SHIMS PER COLUMN	CAM SETTING	NEW CAM REQUIRED	REAR SPACER LOCATION	PARTS REQUIRED PER COLUMN	ROD IN	ROD IN	CAM SETTING	
	12 oz CAN	1, 2, 6, 7, 8, 9, & 10	3	6	2 RIBBED EACH SIDE	6 NOTCHES	0	HOLE 22	1 ROTOR 1 CAN STOP SHIM RIGHT SIDE	-	-	#1	0
30	16 oz NR PLB (GLASS BOTTLE)	1, 2, 5, 8, 9, & 10	2	0	0	4 NOTCHES	0	HOLE 21	1 BUBBLE SHIM RIGHT, 4 FLAT SHIMS LEFT SIDE	-	-	#5	0
28	16 oz PLASTIC PET BOTTLE (1/2 LITER)	1, 2, 5, 8, 9, & 10	2	0	1 FLAT EACH SIDE	4 NOTCHES	0	HOLE 21	1 BUBBLE SHIM RIGHT SIDE	-	-	#5	0
24	16 oz RC and NEHI PLASTIC PET BOTTLE	1, 2, 5, 8, 9, & 10	2	0	0	4 NOTCHES	0	HOLE 21	1 BUBBLE SHIM RIGHT SIDE	-	-	#5	0
32 or 35	20 oz NR PLB (GLASS BOTTLE) and 20 oz PLASTIC PET BOTTLE	1, 2, 6, 8, 9, 10, & 11	1	0	0	2 NOTCHES	3 SEE KIT CONTENTS	HOLE 5	0	-	-	#4	0
31	10 oz WIDE MOUTH JUICE BOTTLES: MOTTS, VERY FINE, FARMFIELD, LINCOLN AND JUICE BOWL	1, 2, 5, 8, 9, & 10	2	0	1 RIBBED, 1 FLAT, 1 METAL EACH SIDE	4 NOTCHES	0	HOLE 14	DO NOT VEND IN NARROW COLUMNS				0
25	10 oz NR PLB and 296ml (GLASS BOTTLE)	1, 2, 5, 8, 9, & 10	2	0	1 RIBBED, 1 FLAT EACH SIDE	4 NOTCHES	0	HOLE 14	1 RIGHT FORMED SHIM	B	-	#3	0

NA = NOT APPLICABLE

TB 282

Page 3 of 11

USE THIS CHART TO "SET-UP" and "SHIM" THE "T" MODEL VENDER.

SERIES 90, BEGINNING S/N 0001-3176AO TO 0001-6090CQ USE KITS 24, 25, 26, 28, 29, 30, 33 & 35.

PRE-SERIES 90, BEGINNING S/N 0001-2820BJ TO 0001-3176AO USE KITS 24, 25, 26, 27, 28, 29, 30, 31 & 32.

FOR VENDERS SERIALIZED 0001-2775DI TO 0001-2820BJ REFER TO PRE-SERIES 90 PARTS LISTED IN KITS.

KIT #	PACKAGE DESCRIPTION	SEE PAGE(S)	LOADING DEPTH	WIDE COLUMNS			ALL COLUMNS		NARROW COLUMNS				
				CAN RETAINER	SHIMS PER COLUMN	CAM SETTING	NEW CAM REQUIRED	REAR SPACER LOCATION	PARTS REQUIRED PER COLUMN	ROD IN	ROD IN	CAM SETTING	DIVIDER ANGLE
29	16 oz CAN (DIA. 2.60, HT. 6 1/4)	1, 2, 5, 8, 9, & 10	2	0	1 FORMED EACH SIDE	4 NOTCHES	0	WIDE HOLE 16 NARROW HOLE 17	1 CAN STOP SHIM RIGHT SIDE	B	-	#5	0
27 & 33	16 oz RETURNABLE (GLASS BOTTLE)	1, 2, 6, 8, 9, & 10	1	0	2 RIBBED EACH SIDE	2 NOTCHES	3 SEE KIT CONTENTS	HOLE 13	1 RIGHT FORMED SHIM	A	C	#4	1
*	20 oz. PLASTIC PET BOTTLE IN SERIES 90 VENDERS ONLY	1, 2, 8, 8, 9, 10, & 11	WIDE 2 NARROW 1	0	0	NA	3 SEE KIT CONTENTS	WIDE HOLE 23 NARROW HOLE 5	-	-	-	#4	SEE KIT CONTENTS

NA = NOT APPLICABLE

* Double Depth in wide columns only.

FOR PRE-SERIES 90 VENDERS AND SERIES 90 VENDERS
PRIOR TO 0001-6090CQ

#24 KIT (PART #361,010,240.04)

16 oz. RC and Nehi Plastic Pet Bottle

Kit Contents:

5 - 361,010,080.43 Bubble Shim - Narrow Column

#25 KIT (PART #361,010,250.04)

10 oz. NR PLB and 296 ml (Glass Bottle)

*Kit Contents:

6 - 801,901,860.01 Flat Shim - Wide Column

5 - 361,010,110.03 Right Formed Shim - Narrow Column

#28 KIT (PART #361,010,280.24)

16 oz. Plastic Pet Bottle (1/2 Liter)

Kit Contents:

6 - 801,901,860.01 Flat Shim - Wide Column

5 - 361,010,080.43 Bubble Shim, Right Hand - Narrow Column

#29 KIT (PART #361,010,290.04)

16 oz. Can (Dia 2.60, Ht. 6-1/4)

Kit Contents:

5 - 361,010,120.03 Can Stop Shim, Right Hand - Narrow Column

3 - 361,010,210.03 Right Formed Shim - Wide Column

3 - 361,010,220.03 Left Formed Shim - Wide Column

#30 KIT (PART #361,010,300.04)

16 oz. NR PLB (Glass Bottle)

Kit Contents:

5 - 361,010,080.43 Bubble Shim, Right Hand - Narrow Column

20 - 361,010,070.03 Flat Shim, Left Hand - Narrow Column

#31 KIT (PART #361,010,310.04)

10 oz. Wide Mouth Juice Bottle: Motts, Very Fine, Farmfield,
Lincoln and Juice Bowl

*Kit Contents:

6 - 801,901,860.01 Flat Shim - Wide Column

3 - 361,010,200.03 Metal Shim 10 oz. Left Hand - Wide Column

3 - 361,010,300.03 Metal Shim 10 oz. Right Hand - Wide
Column

***IMPORTANT: Kit contents do not include right and left ribbed
shims for wide columns.**

TB 282

Page 5 of 11

FOR PRE-SERIES 90 VENDERS ONLY

#27 KIT (PART #361,010,270.04)

16 oz. Returnable (Glass Bottle)

***Kit Contents:**

1 - 236,010,010.03 Divider Angle - Can/Bottle Chute
3 - 900,301,560.01 Screws - Divider Angle
5 - 361,010,110.03 Right Formed Shim - Narrow Column
5 - 361,010,100.03 Rod & Spring Assy. - Rotor Narrow Column
3 - 801,804,460.11 Flat Cams - Wide Column

#32 KIT (PART #361,010,320.04)

20 oz. NR PLB (Glass Bottle) and 20 oz. Plastic Pet Bottle

Kit Contents:

3 - 801,804,460.11 Flat Cam - Wide Column

#-- KIT (PART #361,010,600.04)

12 oz. Can

Kit Contents:

5 - 801,201,150.21 Triple Depth Can Rotor - Narrow Column
6 - 901,700,650.01 Can Retainer - Oscillator - Wide Column
6 - 801,804,900.01 Left Hand Ribbed Shim - Wide Column
6 - 801,804,890.01 Right Hand Ribbed Shim - Wide Column
5 - 497,070,130.73 Can Stop Shim - Narrow Column

FOR SERIES 90 VENDERS PRIOR TO 0001-6090CQ ONLY

#33 KIT (PART #361,010,330.04)

16 oz. Returnable (Glass Bottle)

***Kit Contents:**

1 - 236,010,010.03 Divider Angle - Can/Bottle Chute
3 - 900,301,560.01 Screws - Divider Angle
5 - 361,010,110.03 Right Formed Shim - Narrow Column
5 - 361,010,100.03 Rod and Spring Assy. - Rotor Narrow Column
3 - 801,806,390.21 Vending Cam - Wide Column

#35 KIT (PART #361,010,350.04)

20 oz. NR PLB (Glass Bottle) and 20 oz. Plastic Pet Bottle (Single Depth)

Kit Contents:

3 - 801,806,390.21 Vending Cam - Wide Column

#-- KIT

20 oz. Plastic Pet Bottle (Double Depth in wide columns)

Parts needed:

3 - 801,806,990.01 White Vending Cam - Wide Column
1 - 324,000,200.03 20 oz. Bottle Chute Assembly

#-- KIT (PART #497,010,300.04)

12 oz. Can

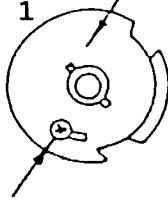
Kit Contents:

6 - 901,700,650.01	Can Retainer - Oscillator - Wide Column
6 - 801,804,900.01	Left Hand Ribbed Shim - Wide Column
6 - 801,804,890.01	Right Hand Ribbed Shim - Wide Column
5 - 497,070,130.73	Can Stop Shim - Narrow Column
5 - 801,201,230.01	Triple Depth Can Rotor - Narrow Column

***IMPORTANT: Kit contents do not include right and left ribbed shims for wide columns.**

WIDE COLUMN INFORMATION

Figure 1 Adjustable Cam



Adjustment Screw

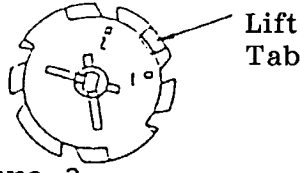


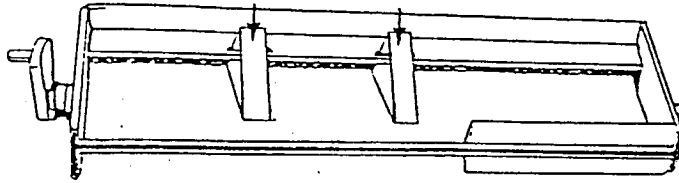
Figure 2

- A. Move the adjustable cam on the vend motor to the number of notches indicated on the shim chart. See figure 1 for Pre-Series 90 cam and figure 2 for Series 90 cam.

OSCILLATOR

Figure 3

- A. Locate can retainers as shown.



OSCILLATOR ASSEMBLY #497,071,000.03 - "T" Model

SHIMS

- A. Install shim as shown, figure 8. Shims rest on shim hanger rods, front and rear.

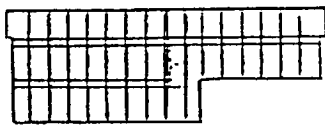


Figure 4
12 oz. Ribbed Shim
P/N 801,804,900.01 Left Hand
P/N 801,804,890.21 Right Hand



Figure 5
Flat Shim
P/N 801,901,860.01

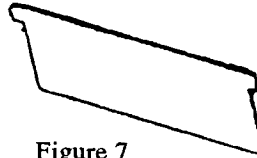


Figure 7
Special Metal Shim
P/N 474,040,060.03



Figure 8
Flat Metal Shim
P/N 361,010,130.03

PACKAGE LOADING

T-Model Stack

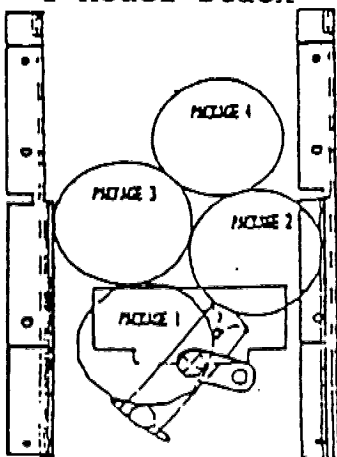


Figure 8

- A. Position oscillator as shown. Load packages number 1, 2, 3, & 4 as shown in the front, middle and rear. Front, Middle and rear must be loaded evenly.

IMPORTANT: When vending bottles, load bottles with caps toward the rear vender. When a column is sold out, load first 2 bottles heel down, and crown up at approximately 45°. Then release bottle to lay in a horizontal position.

TB 282

Page 8 of 11

NARROW COLUMN INFORMATION

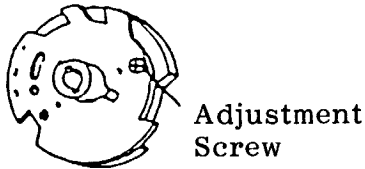


Figure 1

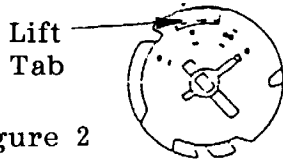


Figure 2

- A. There are five (5) adjustable positions on the narrow column cams. See figure 1 for Pre-Series 90 and figure 2 for Series 90 cam.

IMPORTANT: Each position has a number embossed in the plastic next to the slot or hole. Move adjustable cam to position indicated on the shim chart.

Note: If vending 10 oz. PLB in narrow column, and the need for the vend motor no run longer arises, move adjustable cam to position #2.

ROTOR

Spring towards rear

Figure 3

- A. Insert the rod as shown in position indicated on the shim chart.

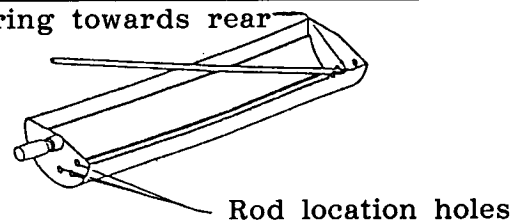


Figure 4
Special Can Stop Shim
P/N 497,070,110.13



Figure 5
12 oz. Can Stop Shim
P/N 497,070,130.73

SHIMS

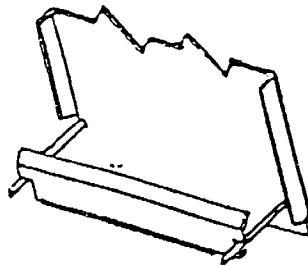


Figure 6
10 oz. PLB Right Form Shim
P/N 361,010,110.03



Figure 7
16 oz. PLB Bubble Shim
P/N 361,010,080.43

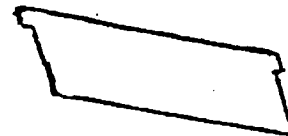


Figure 8
Flat Metal Shim
P/N 361,010,070.03

PACKAGE LOADING

T-Model Stack

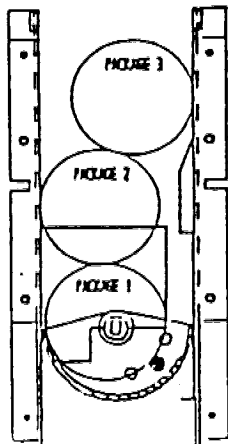


Figure 9

- A. Position rotor as shown. Load packages 1, 2, and 3 as shown, in the front, middle and rear of column. Front and rear must be loaded evenly.

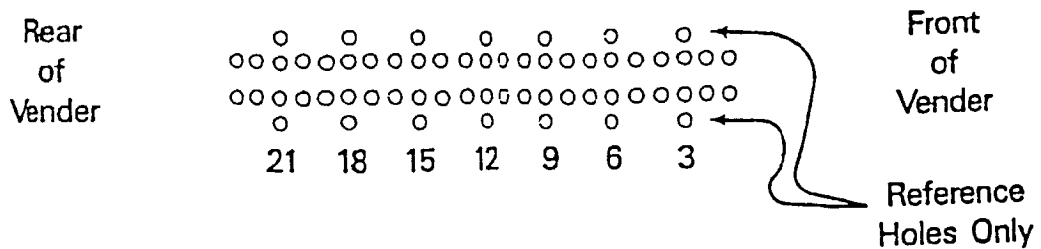
IMPORTANT: When using bottles, load bottles with caps towards the rear.

TB 282

Page 9 of 11

REAR SPACER ADJUSTMENT HOLES

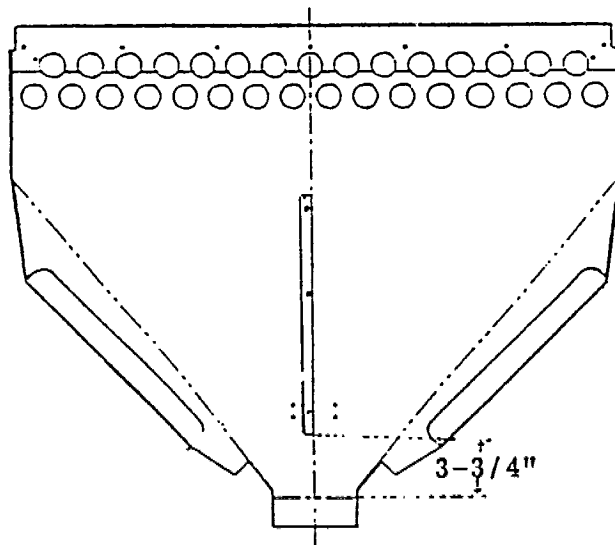
Rear spacer adjustment holes located in the sidewalls of the stacks.



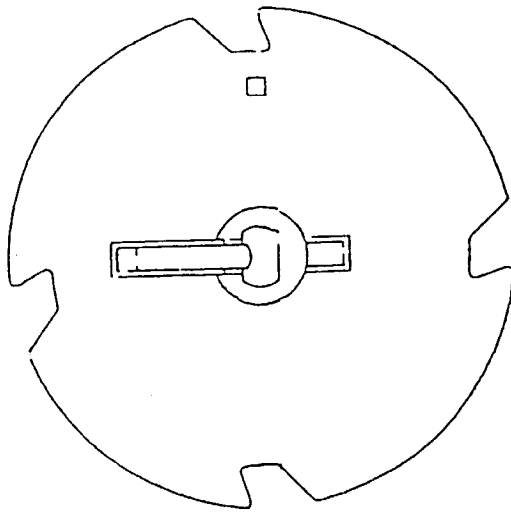
- A. Rear spacers are factory installed in each vender.
- B. Locate rear spacer to appropriate adjustment hole for package being vended.

DIVIDER ANGLE

(For 16 oz. Returnable Glass Bottle)

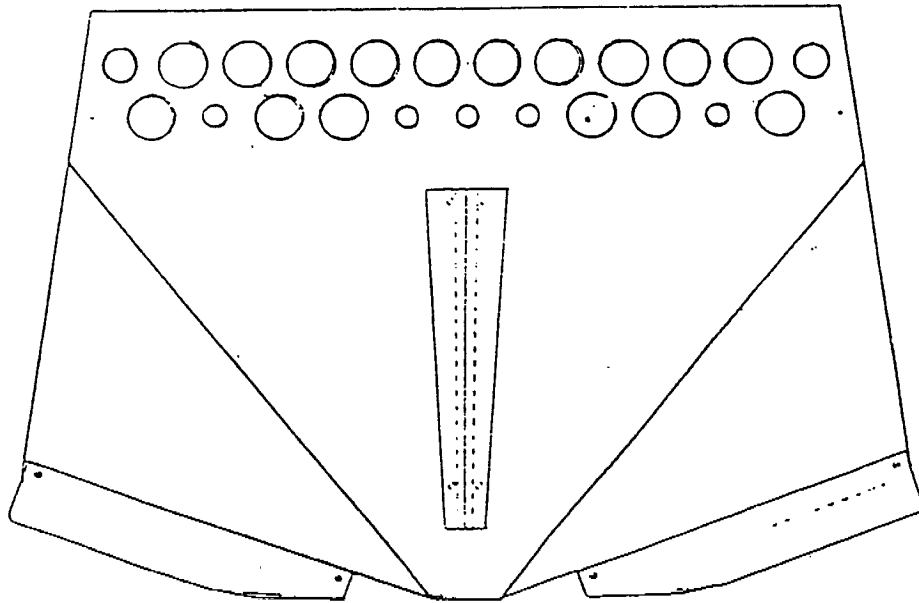


Position divider angle as shown over existing holes in chute. Secure with three (3) #8-32 x $\frac{3}{8}$ screws.



White Vending Cam
Part #801,806,990.01
(For 20 oz. Plastic Pet Bottle)

20 oz. Bottle Chute Assembly



20 oz. Bottle Chute
Part #324,000,200.03